

This Page Is Inserted by IFW Operations
and is not a part of the Official Record

BEST AVAILABLE IMAGES

Defective images within this document are accurate representations of the original documents submitted by the applicant.

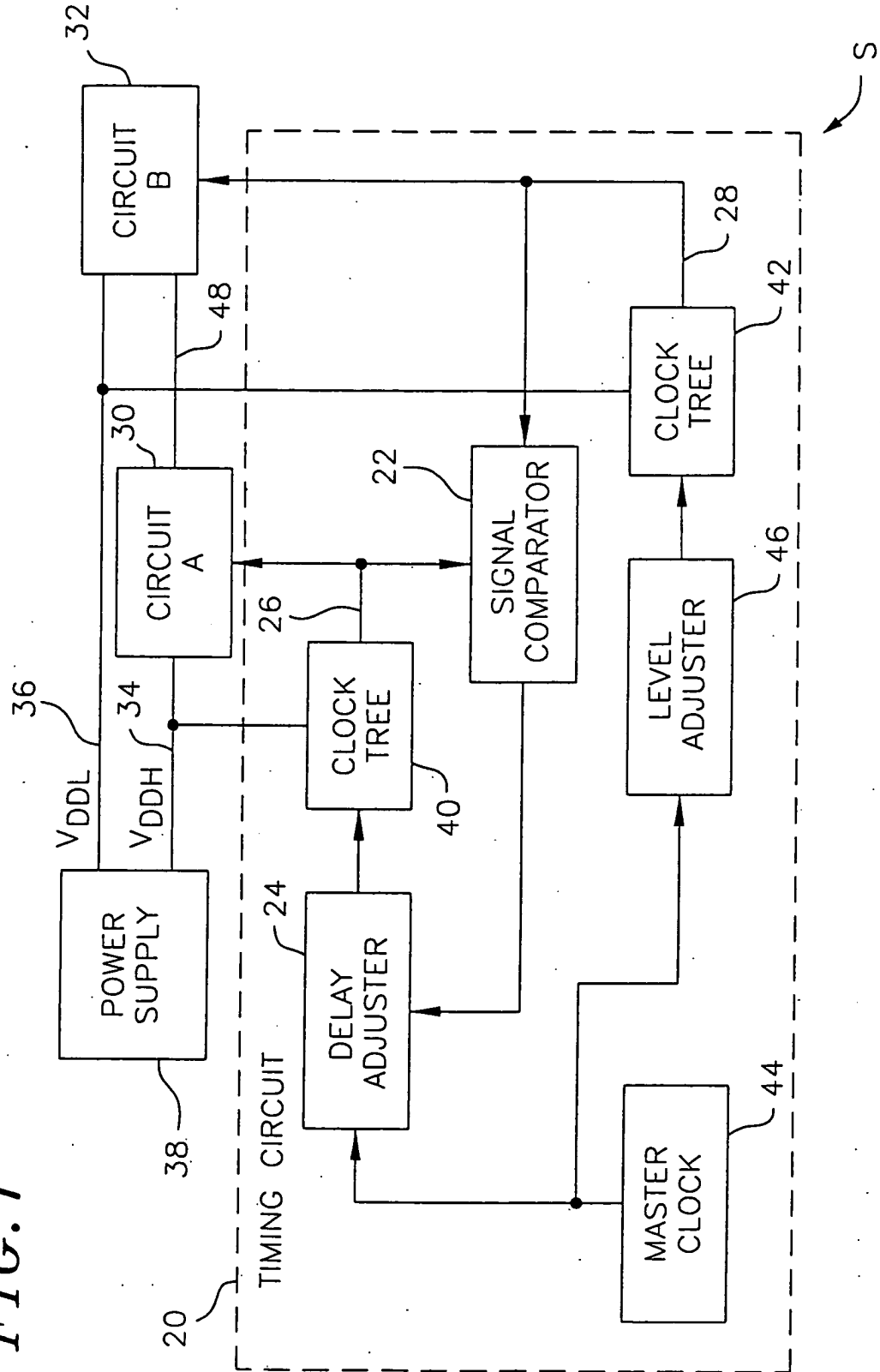
Defects in the images may include (but are not limited to):

- BLACK BORDERS
- TEXT CUT OFF AT TOP, BOTTOM OR SIDES
- FADED TEXT
- ILLEGIBLE TEXT
- SKEWED/SLANTED IMAGES
- COLORED PHOTOS
- BLACK OR VERY BLACK AND WHITE DARK PHOTOS
- GRAY SCALE DOCUMENTS

IMAGES ARE BEST AVAILABLE COPY.

**As rescanning documents *will not* correct images,
please do not report the images to the
Image Problem Mailbox.**

FIG. 1



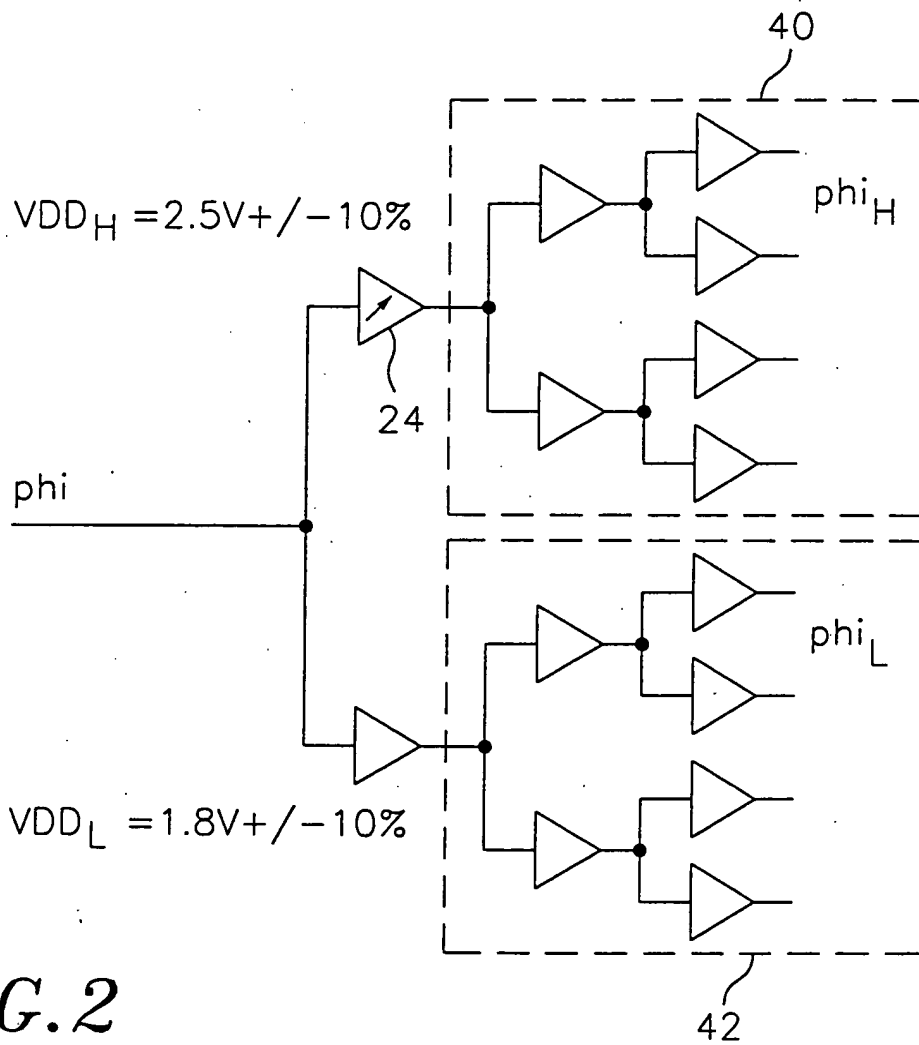


FIG. 2

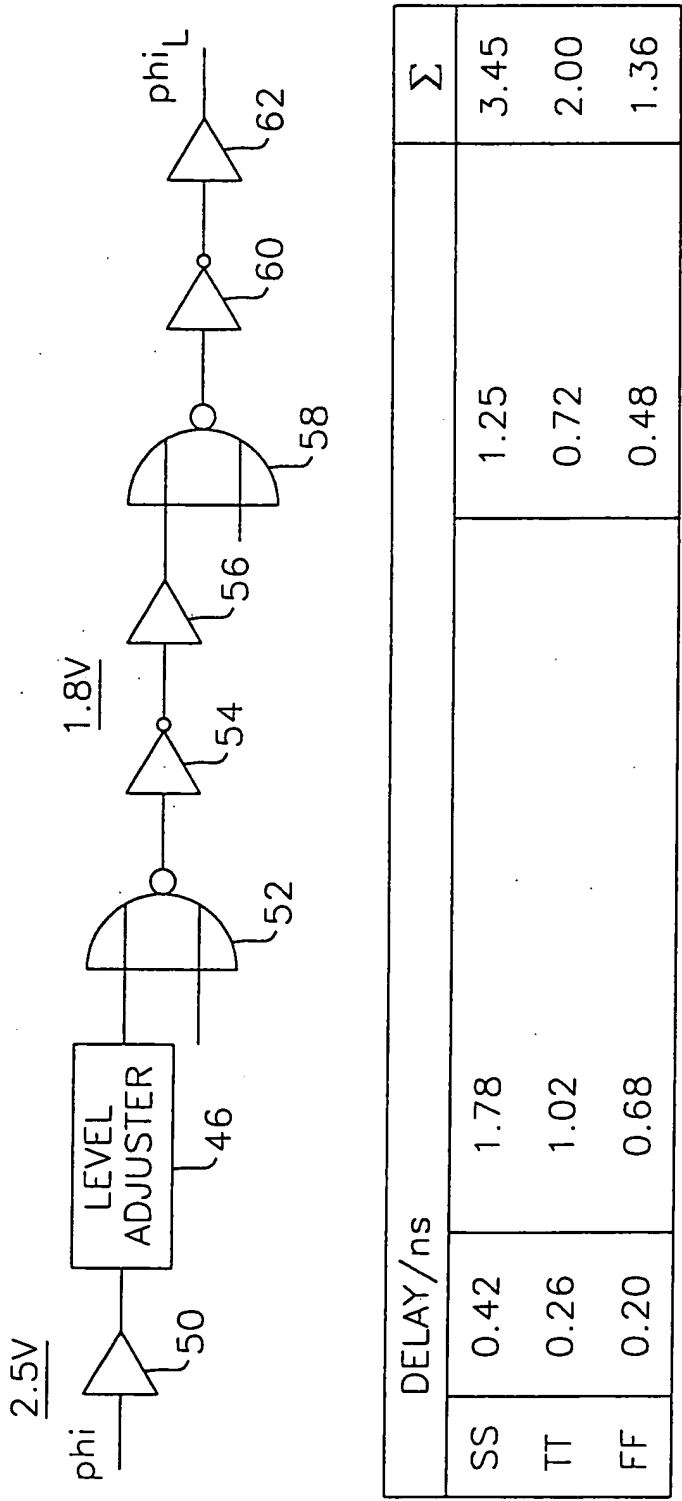


FIG. 3

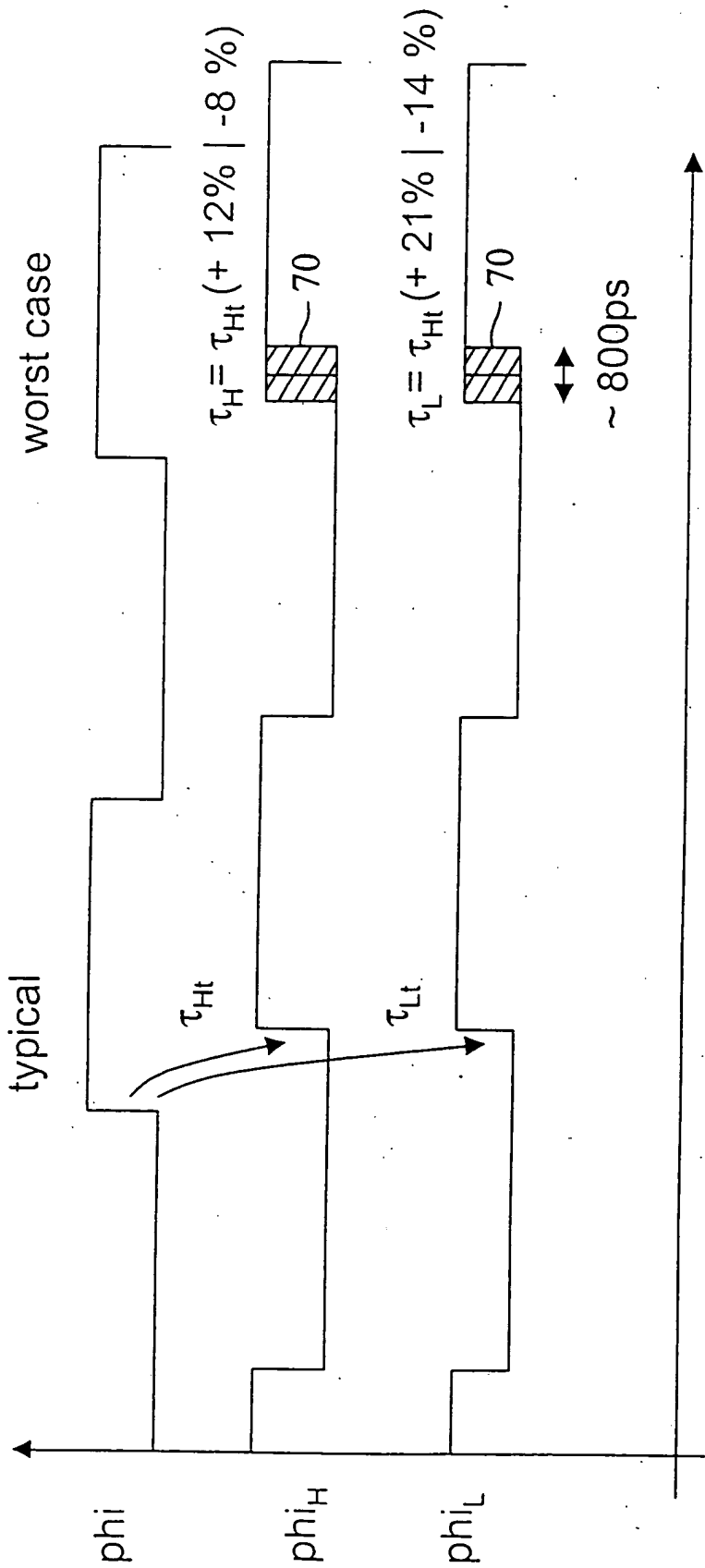


FIG. 4

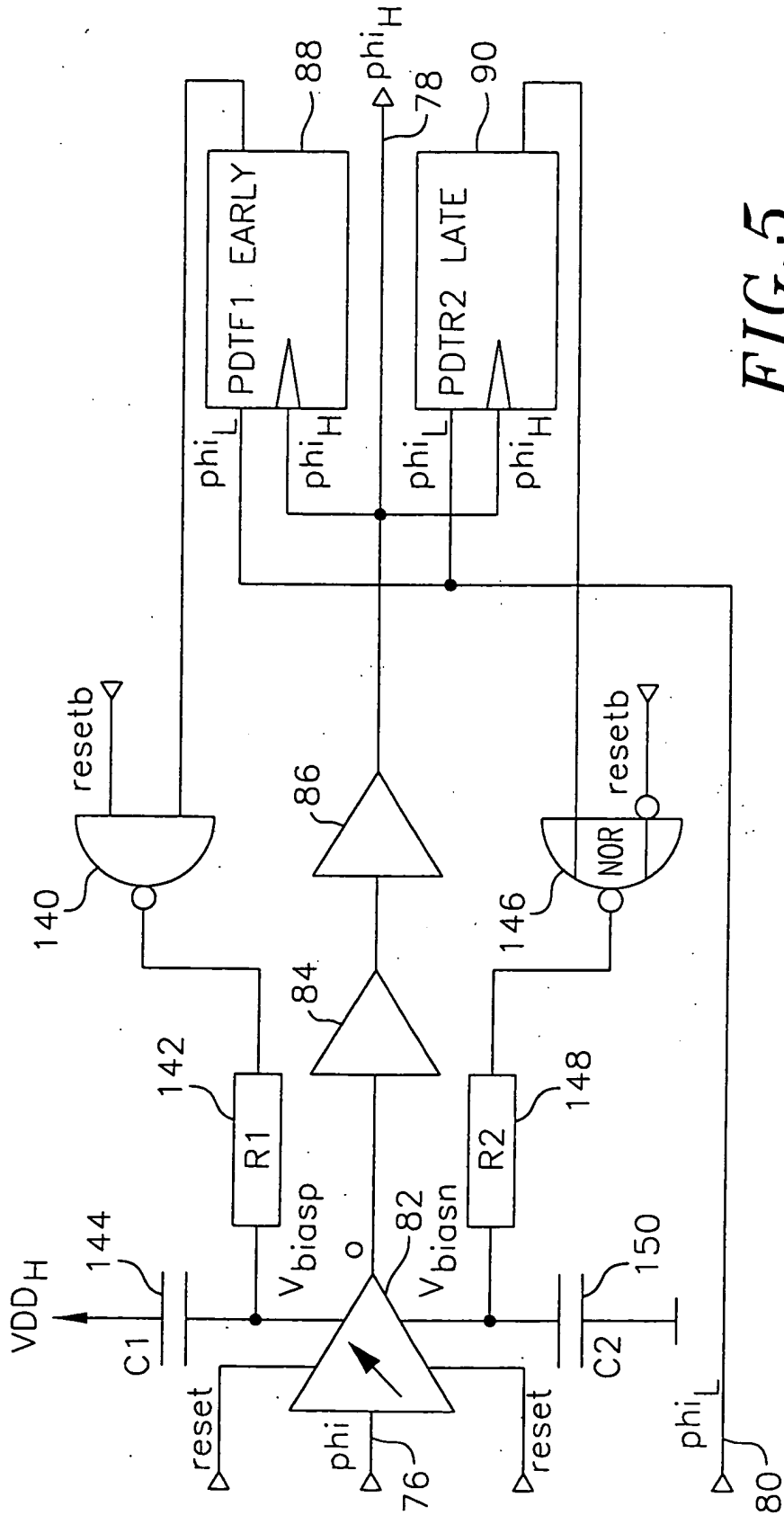
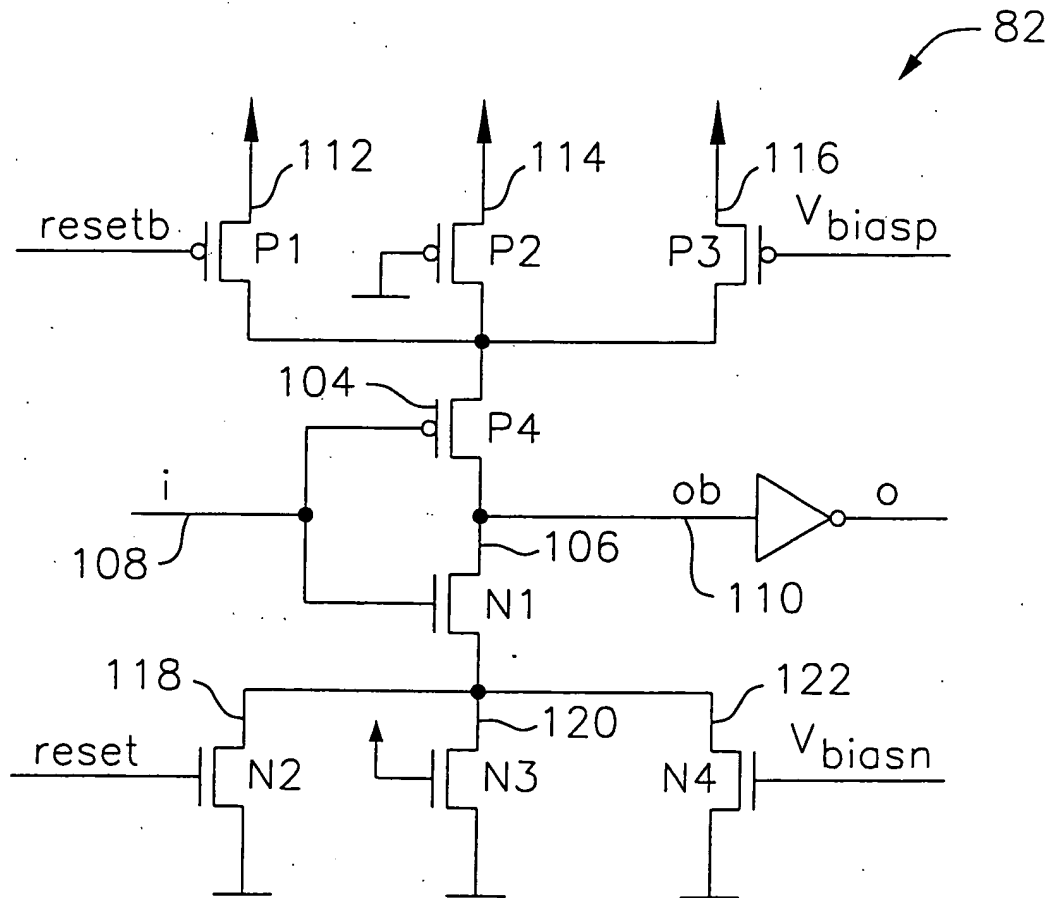


FIG. 5

FIG. 6



tr: rise time
tf: fall time

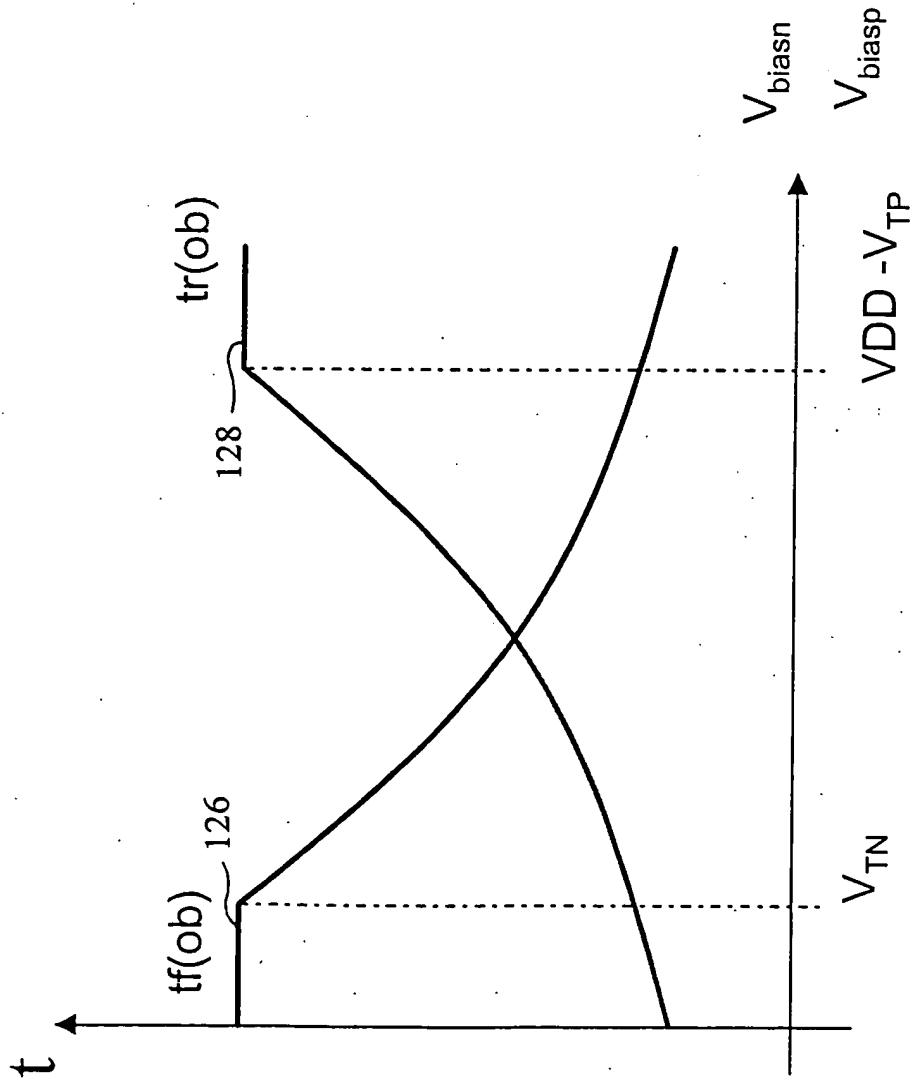


FIG. 7

FIG. 8A

delays, CORNER=2, 01phi>01phi1

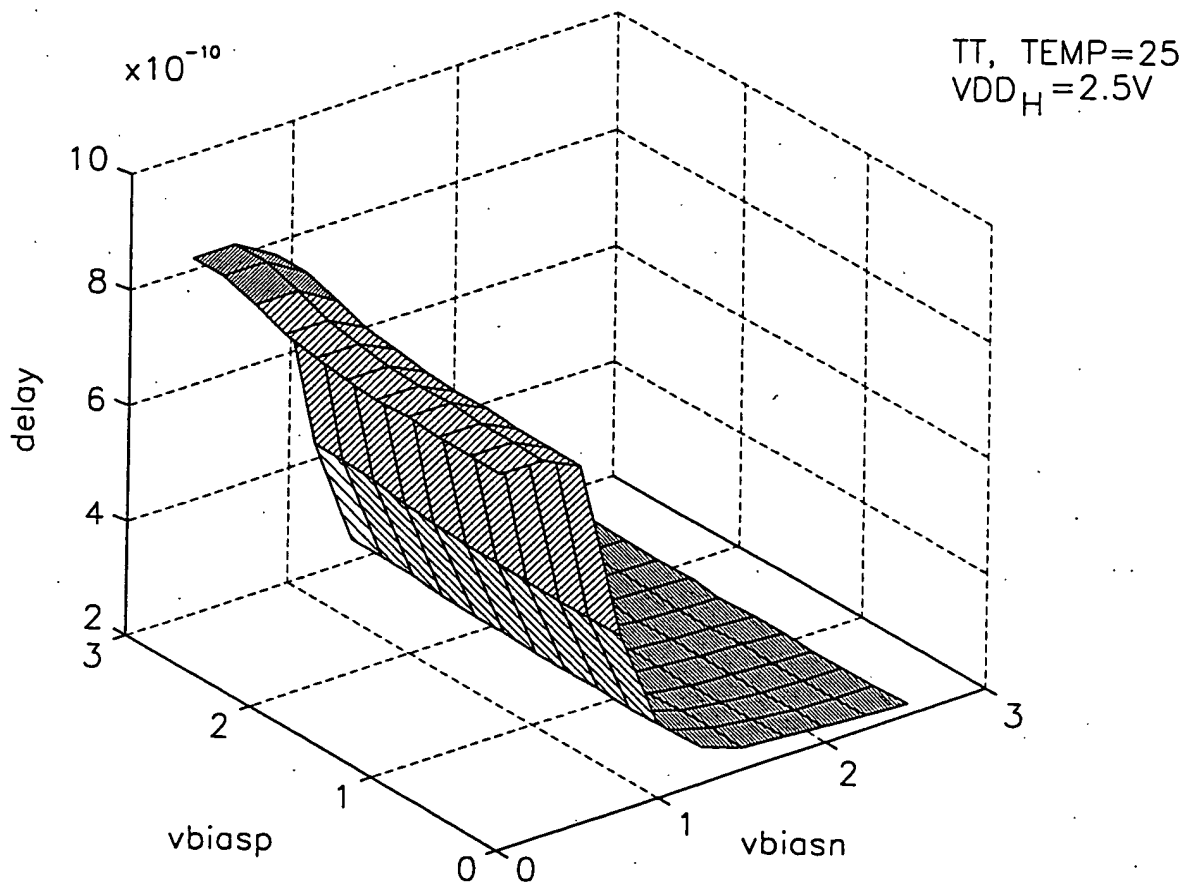


FIG. 8B

delays, CORNER=2, 01phi>01phi1

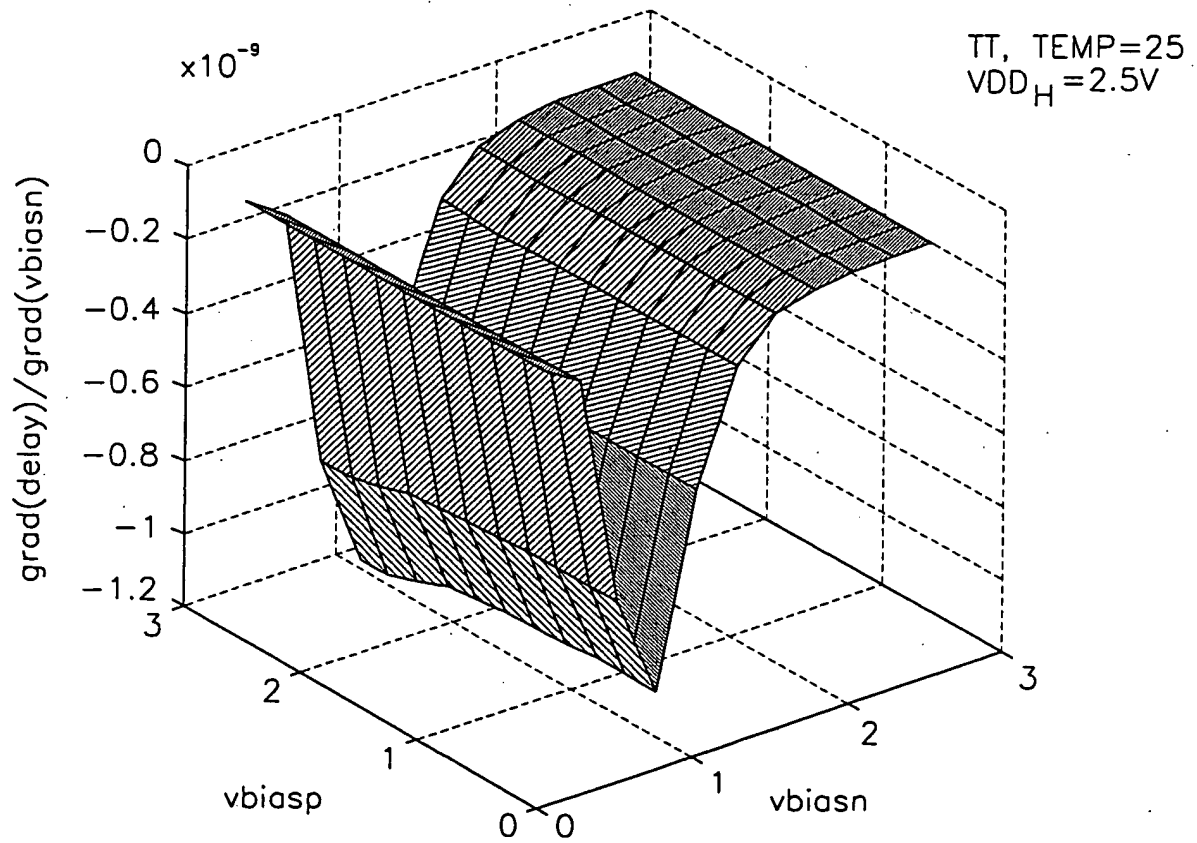


FIG. 8C

delays, CORNER=2, 10phi>10phi1

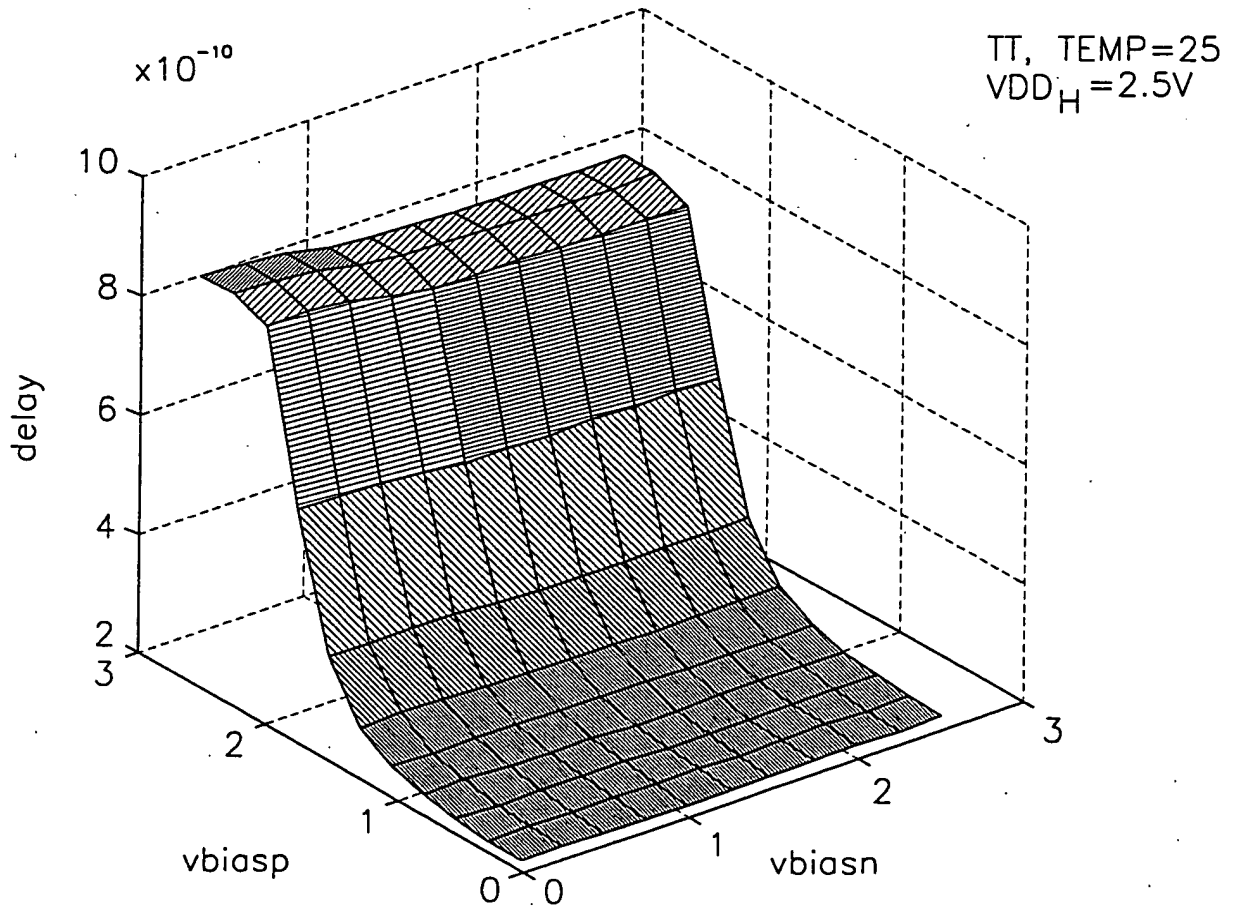
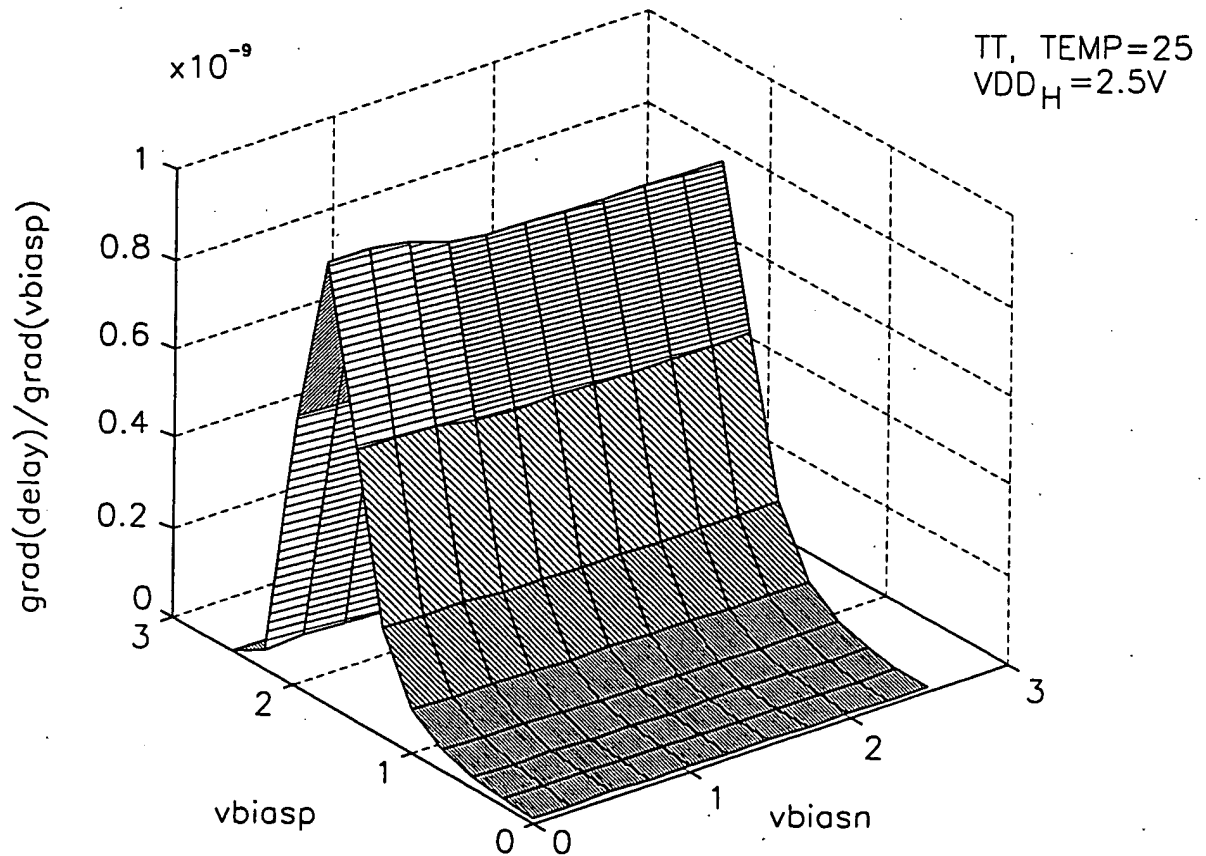


FIG. 8D

delays, CORNER=2, 10phi>10phi1



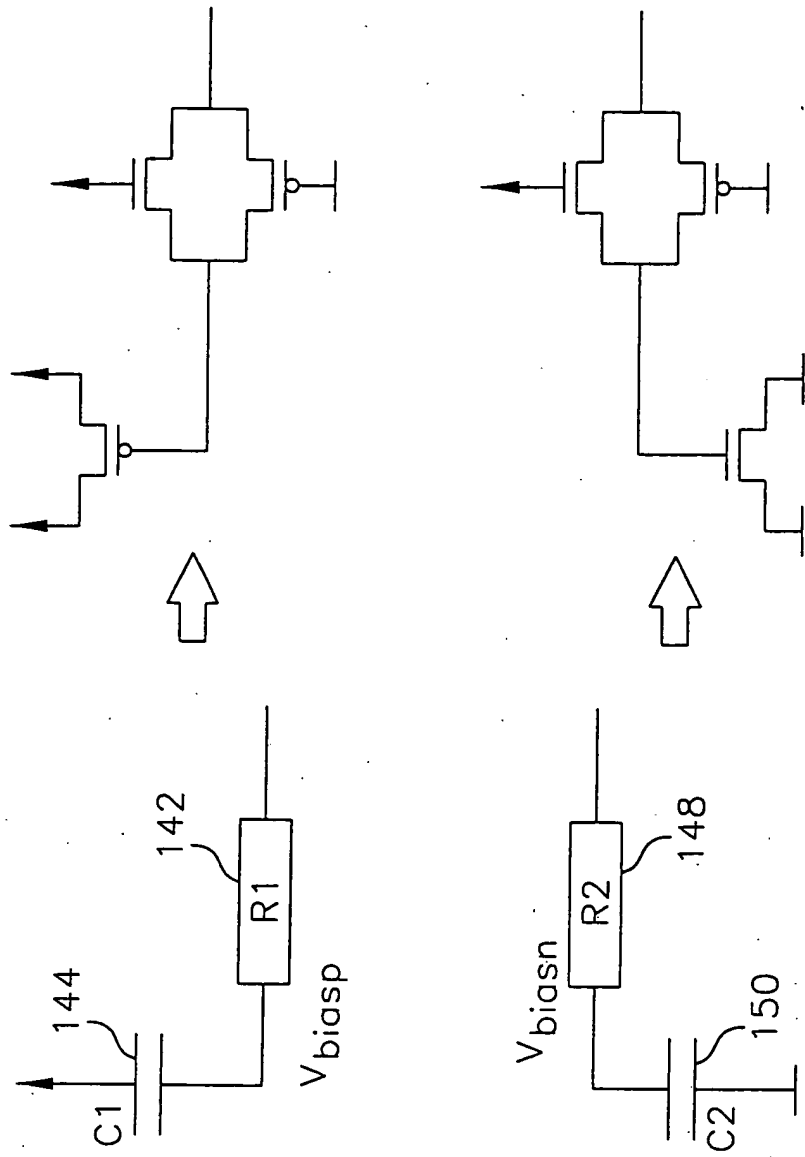


FIG. 11

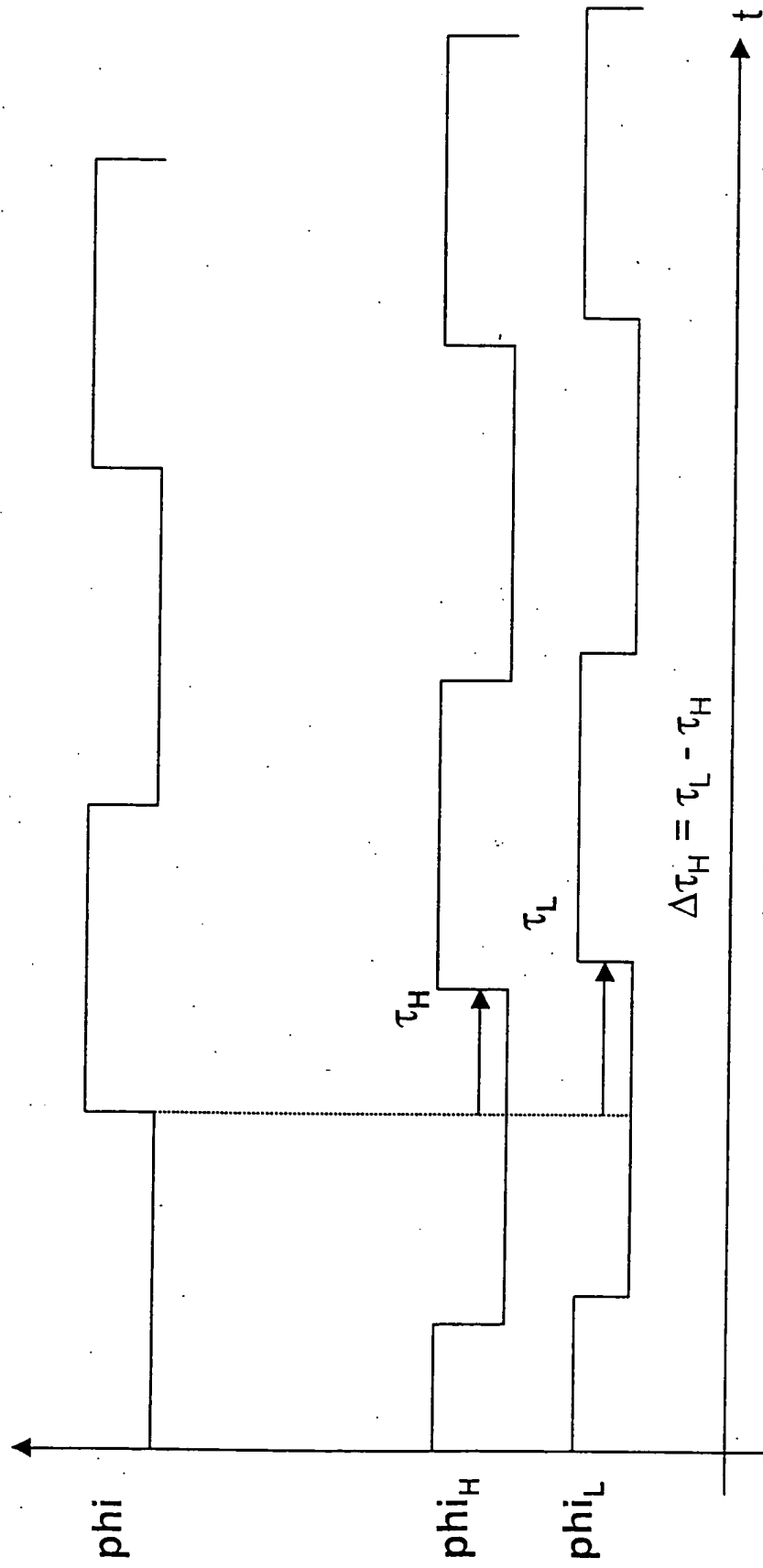


FIG. 12

FIG. 13A

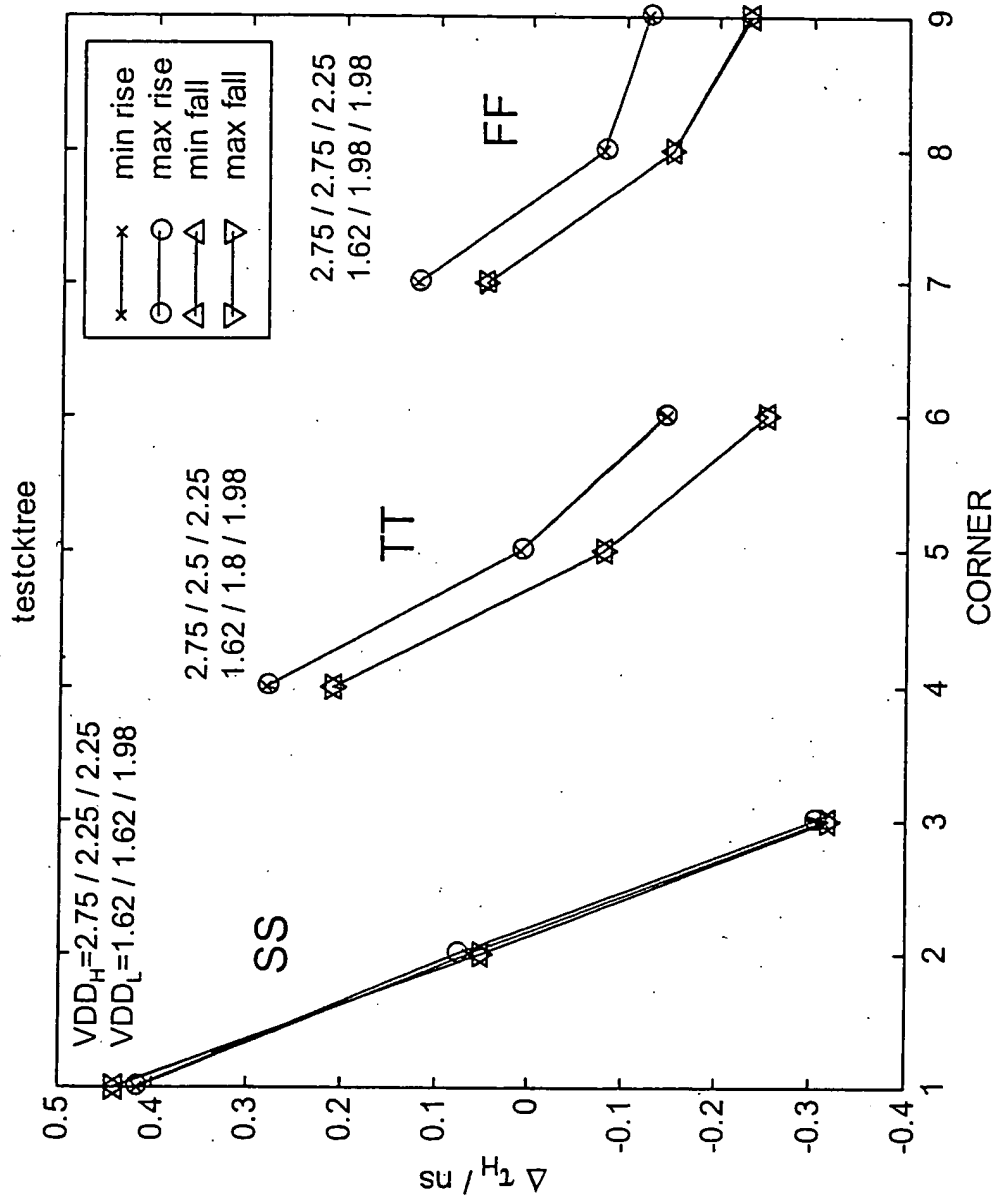


FIG. 13B

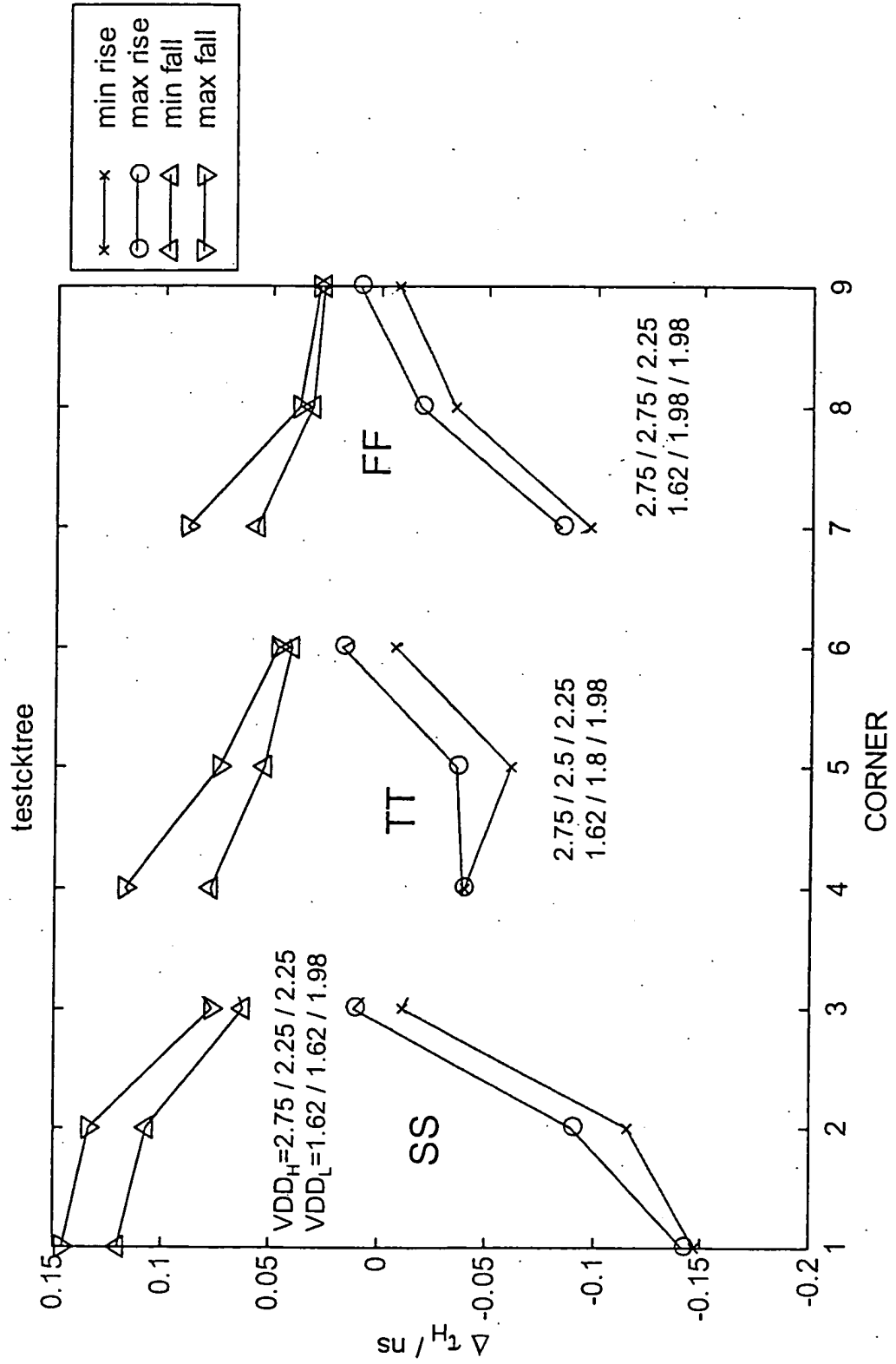


FIG. 13C

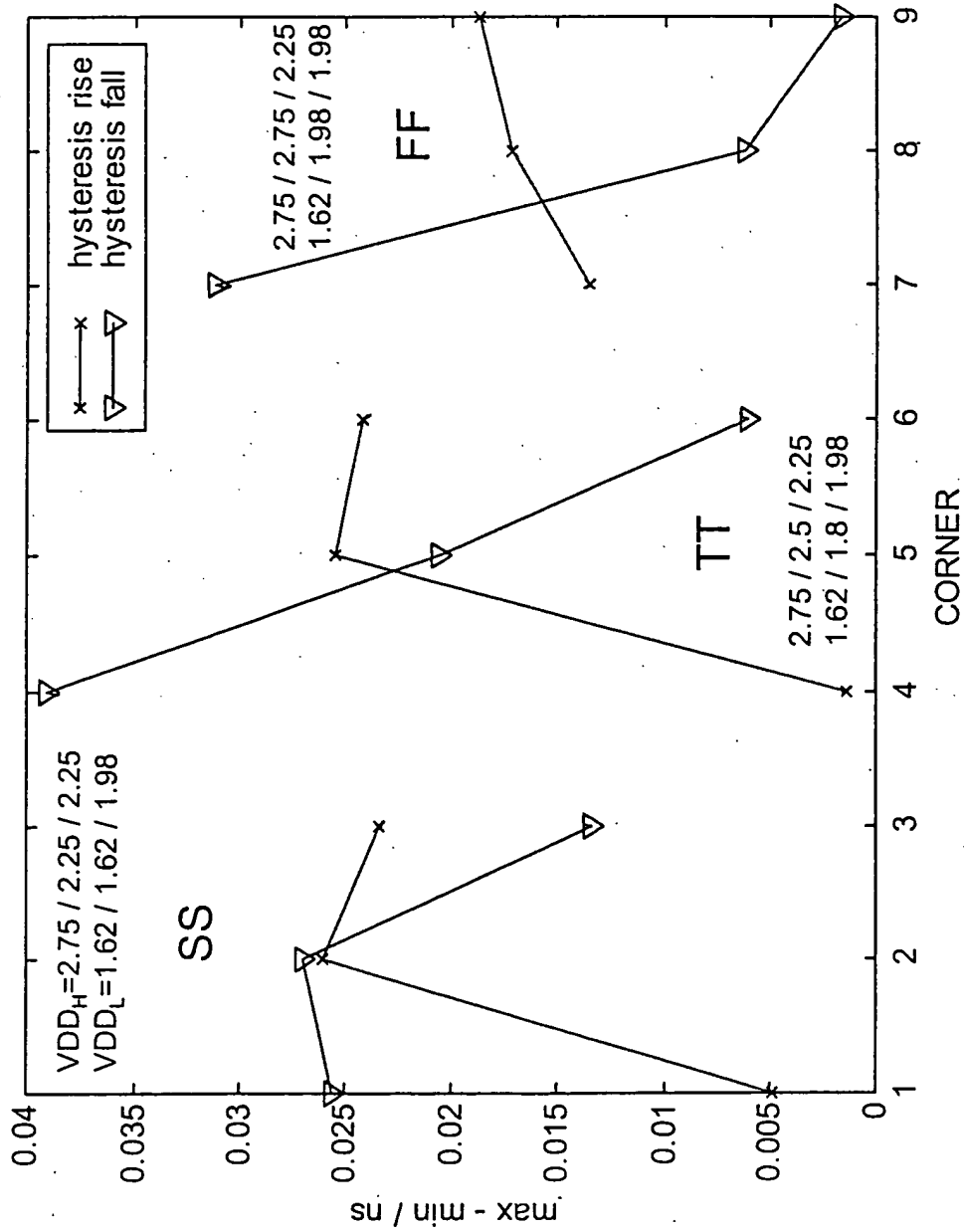


FIG. 13D

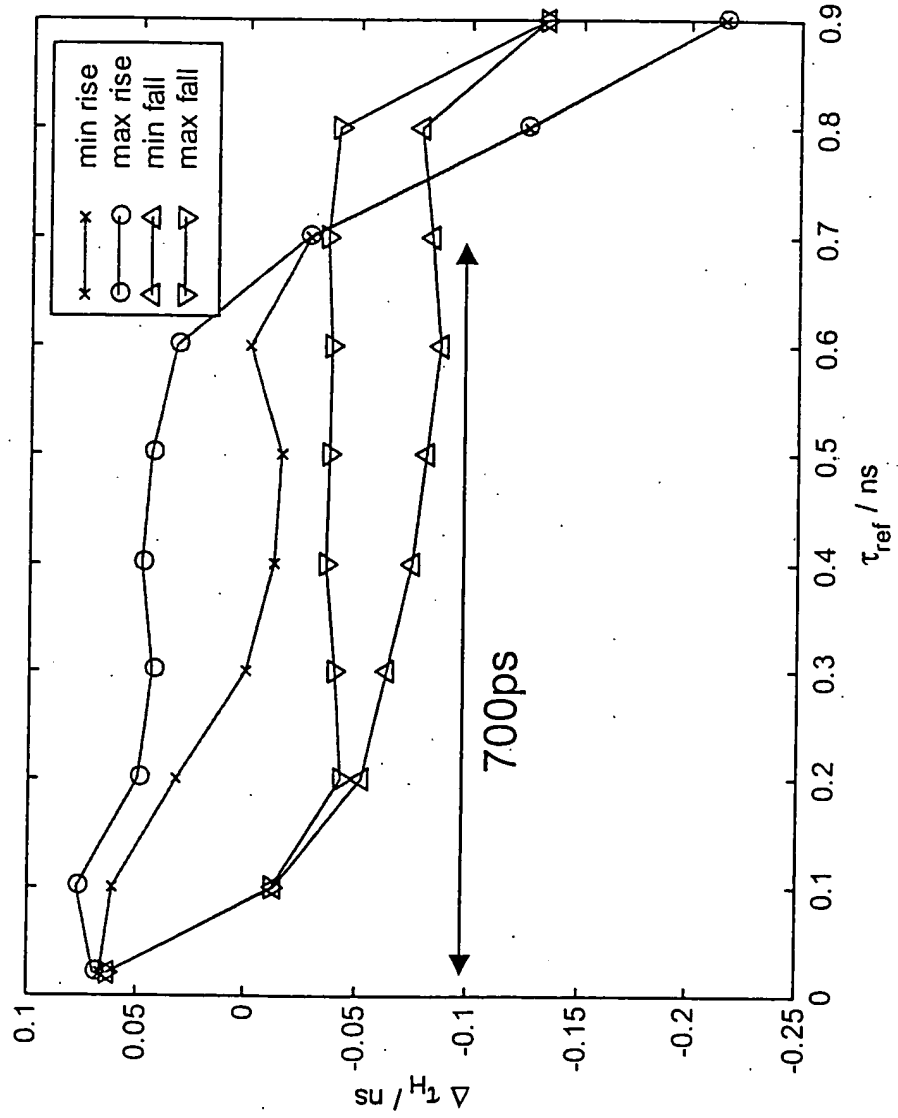
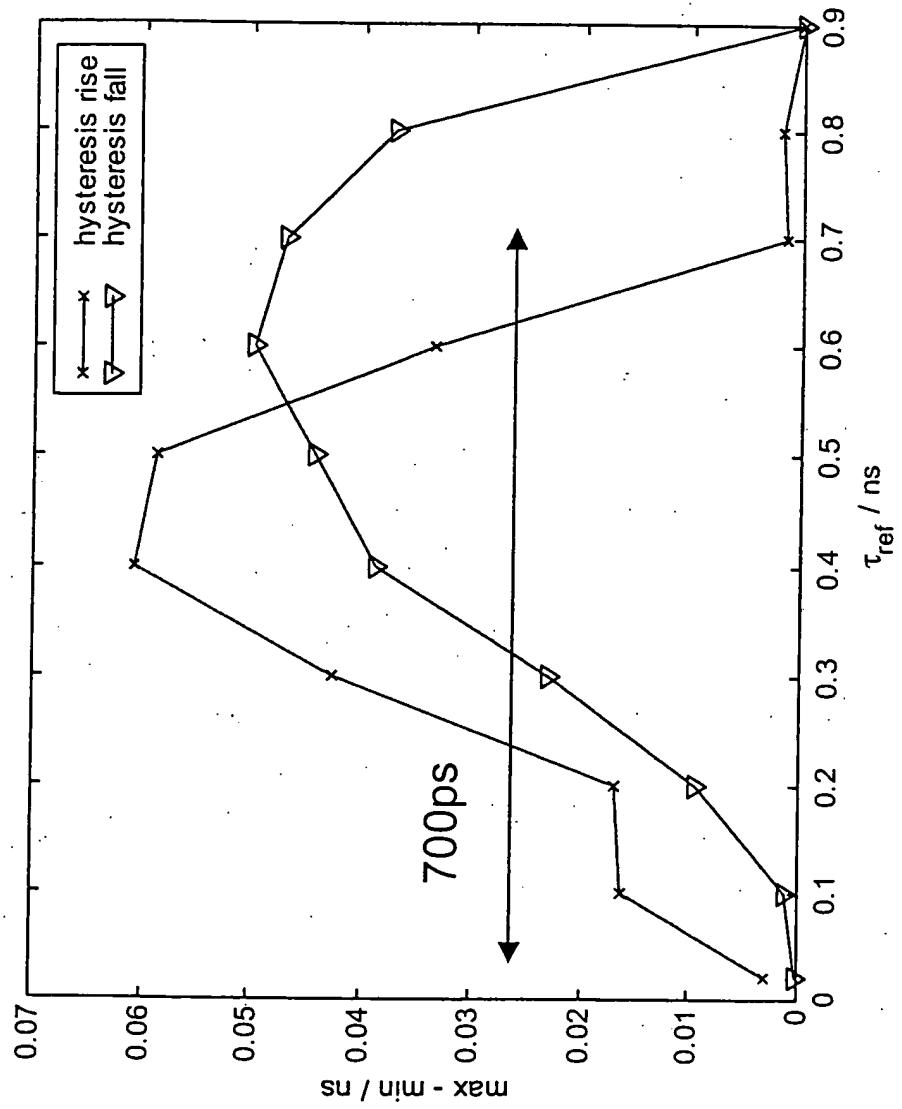


FIG. 13E



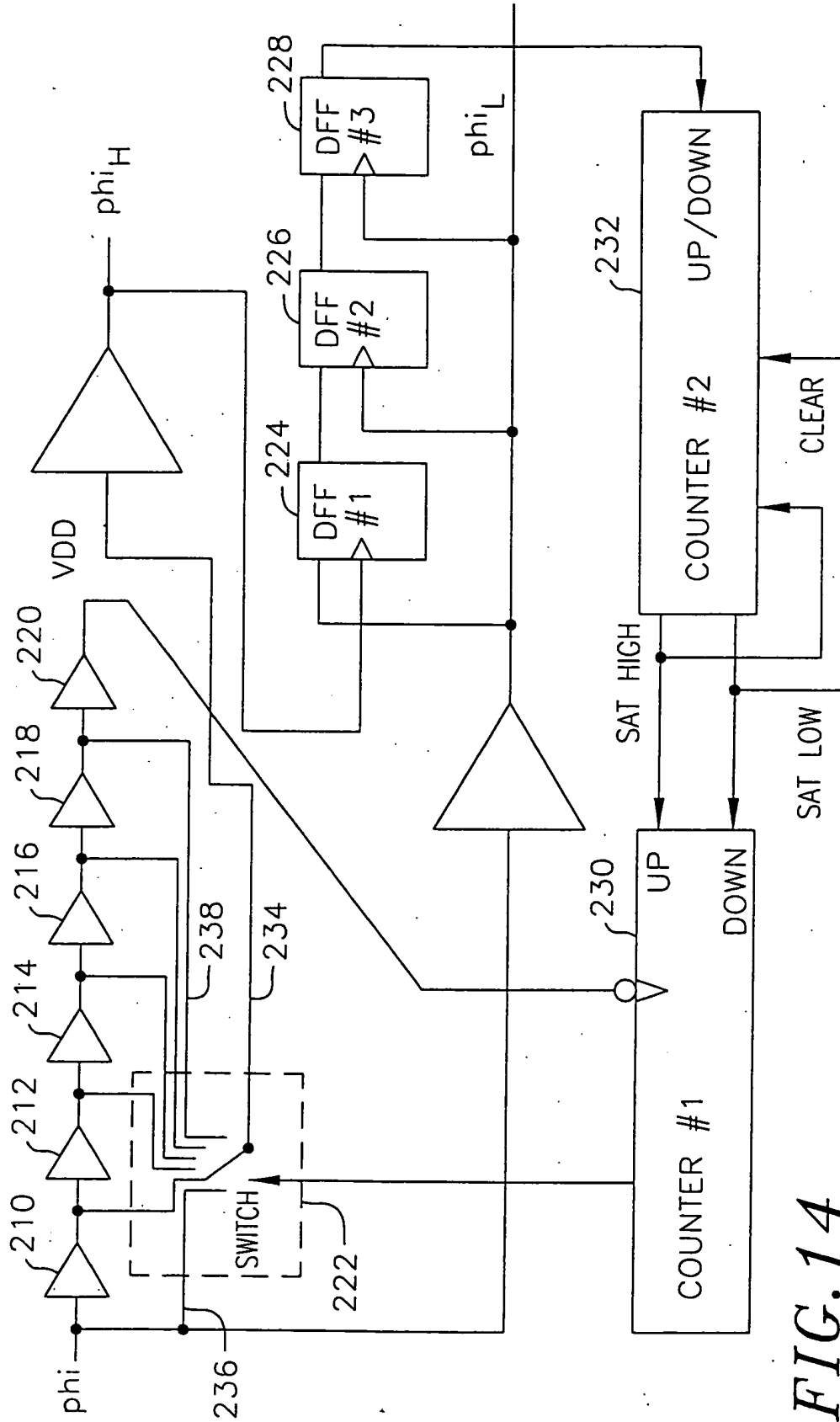


FIG. 14

FIG. 15. SYSTEM AND METHOD FOR

FIG. 15

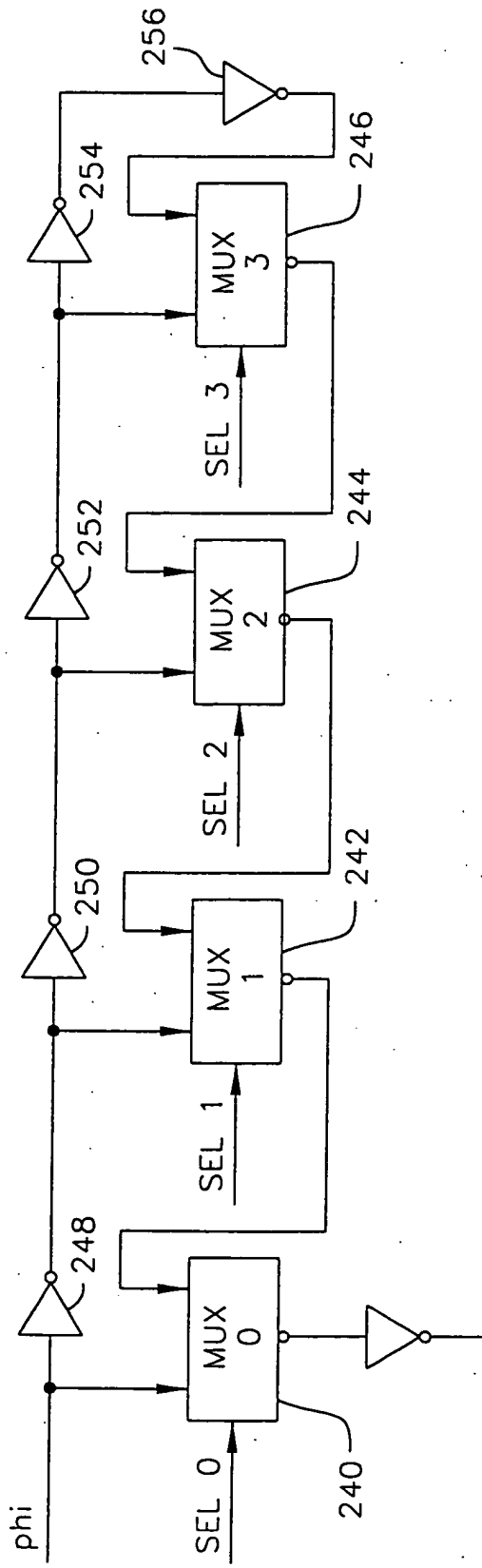


FIG. 16: SYSTEM AND METHOD FOR

FIG. 16

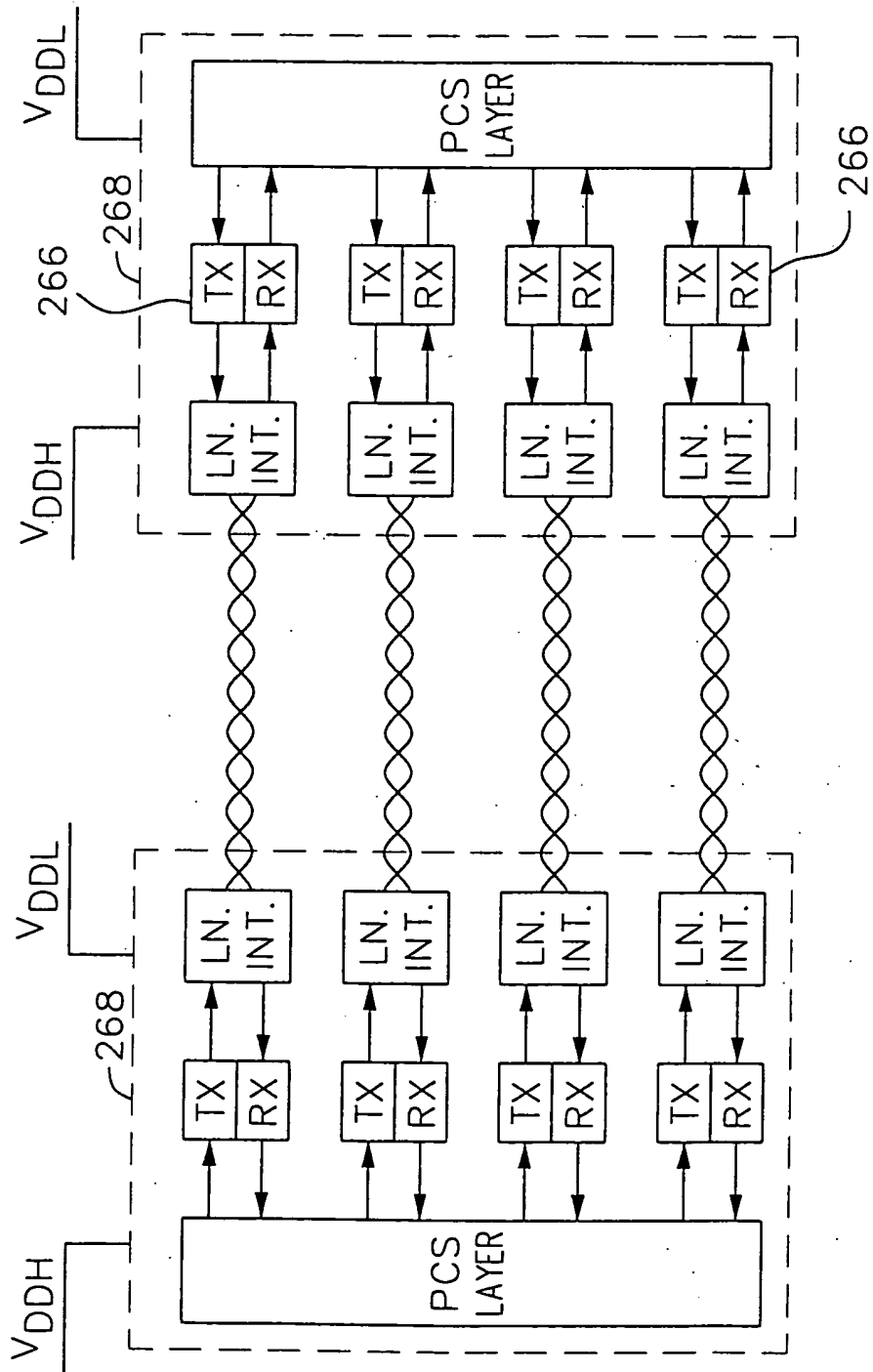


FIG. 17. SYSTEM AND METHOD FOR

FIG. 17

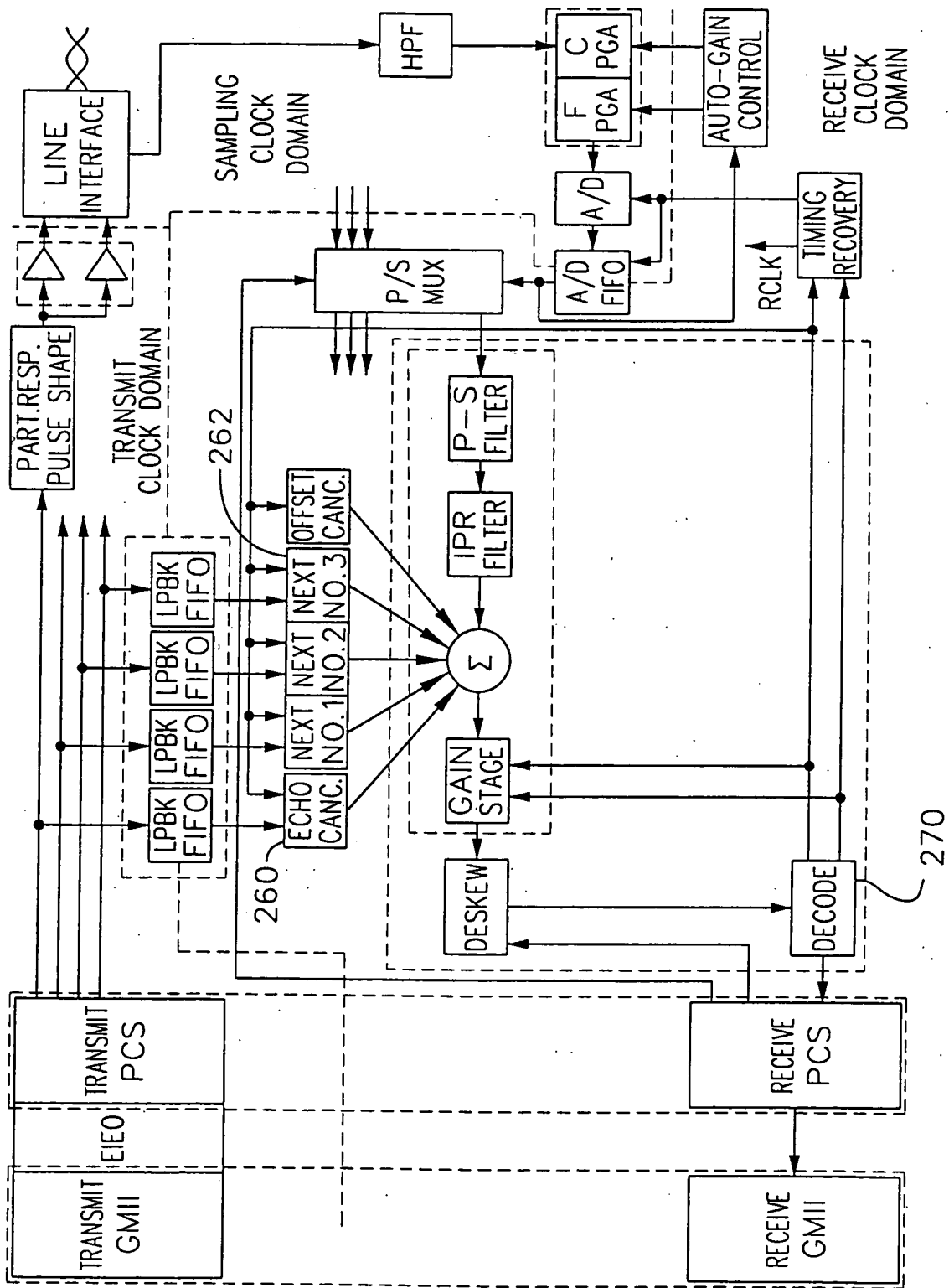


FIG. 18

